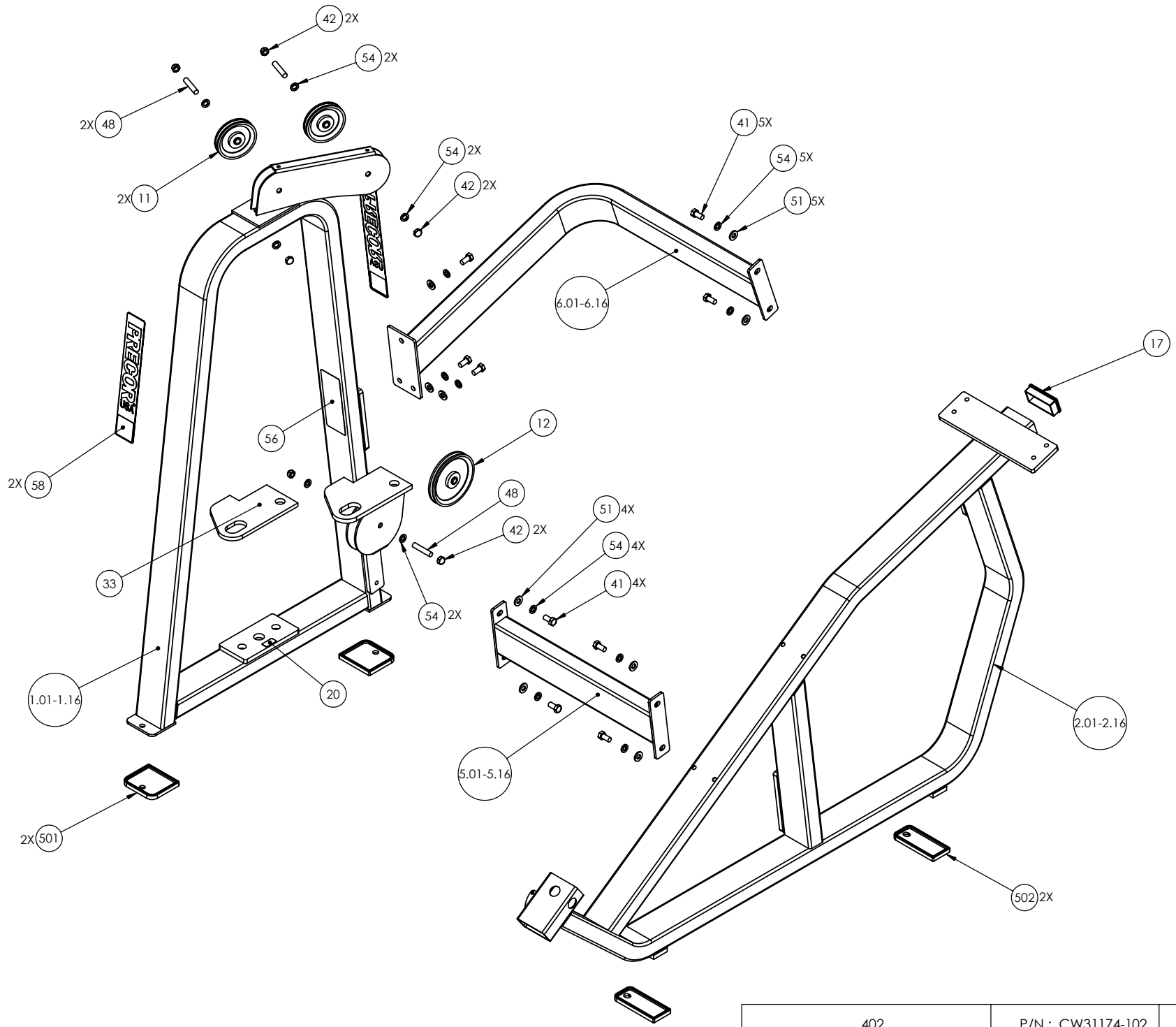
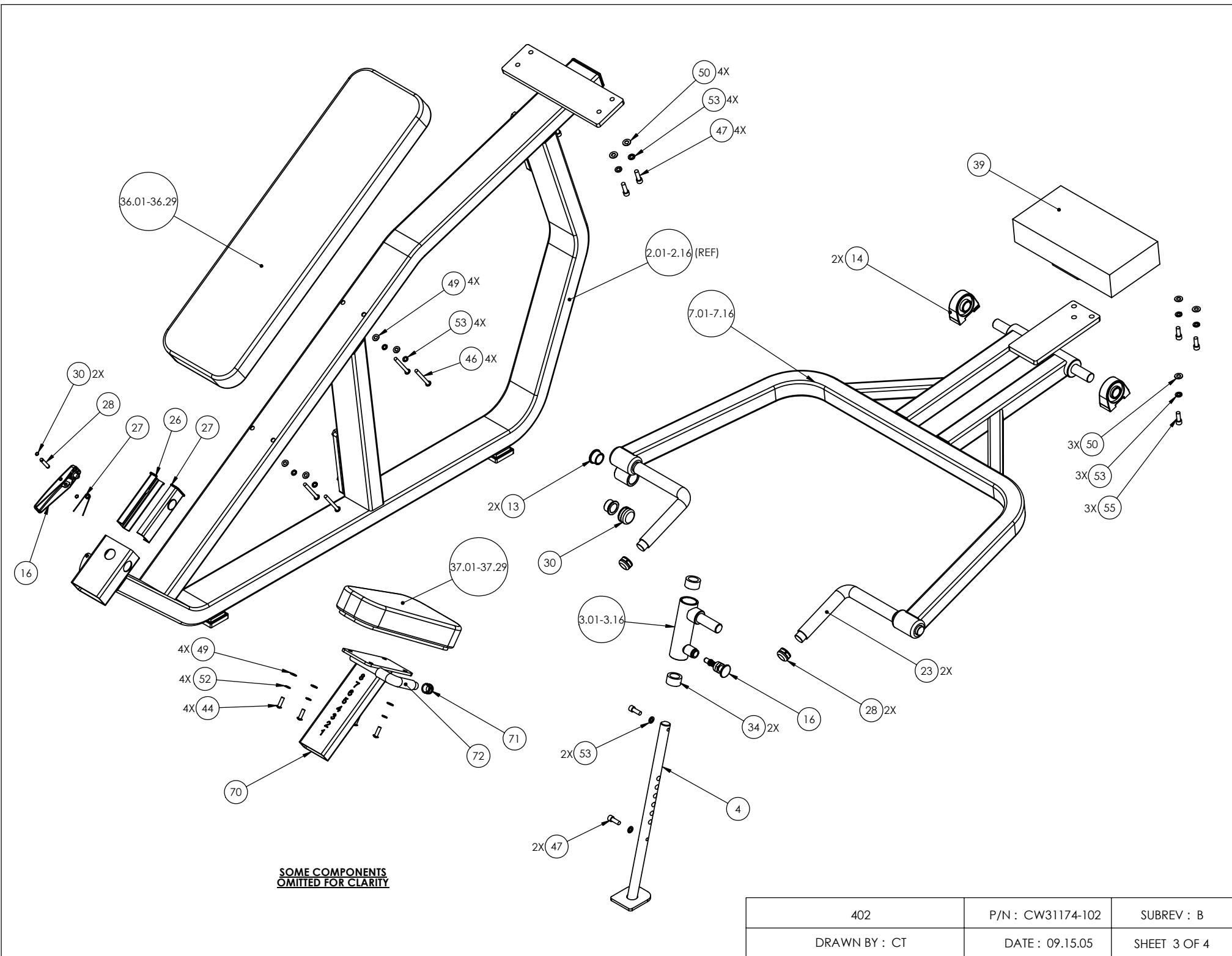


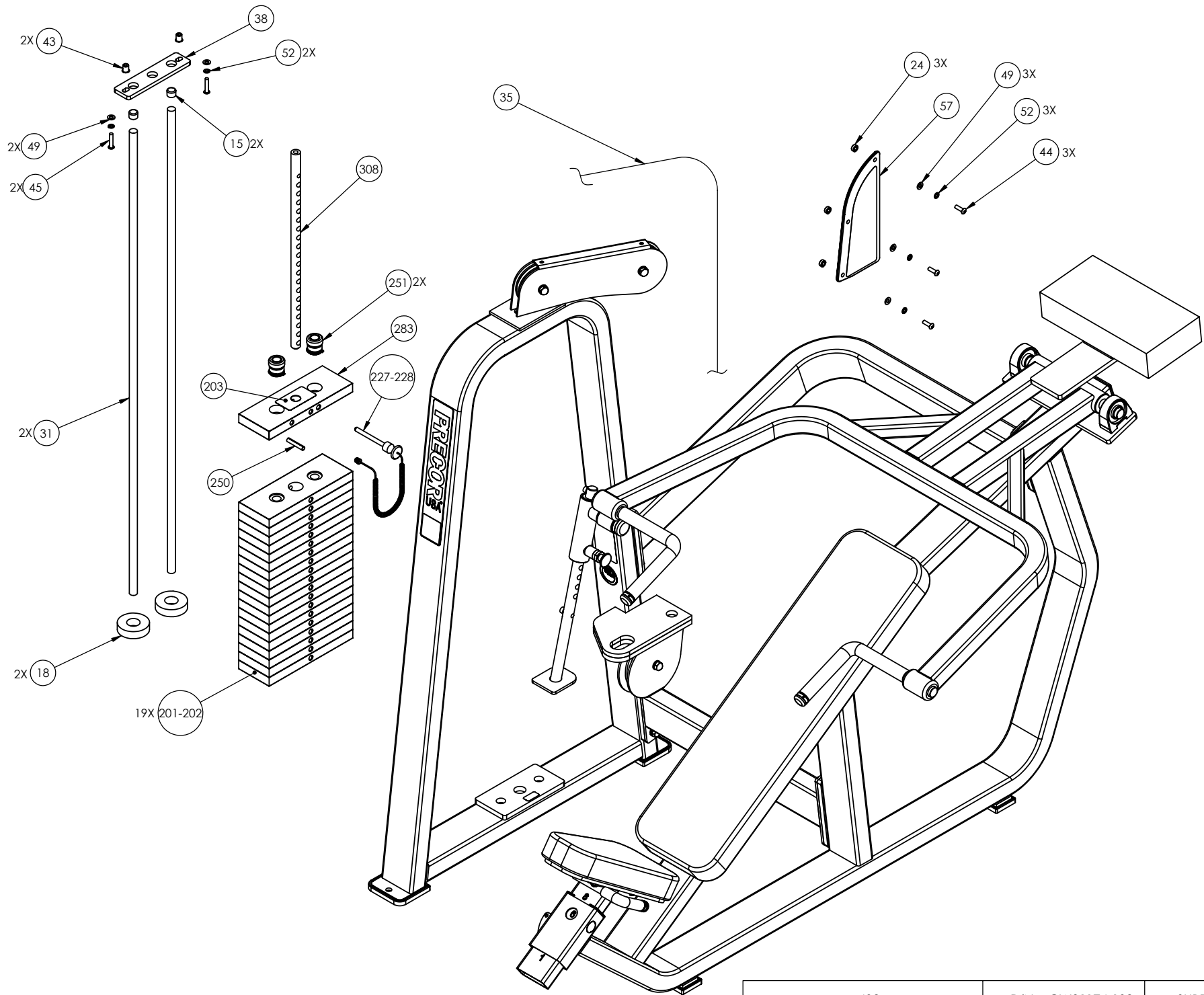
402	P/N : CW31174-102	SUBREV : B
DRAWN BY : CT	DATE : 09.15.05	SHEET 1 OF 4



402	P/N : CW31174-102	SUBREV : B
DRAWN BY : CT	DATE : 09.15.05	SHEET 2 OF 4



402	P/N : CW31174-102	SUBREV : B
DRAWN BY : CT	DATE : 09.15.05	SHEET 3 OF 4



402	P/N : CW31174-102	SUBREV : B
DRAWN BY : CT	DATE : 09.15.05	SHEET 4 OF 4

**402 Incline Press Advanced**

<b>Part Number</b>	<b>Description</b>	<b>Bubble Number</b>
CW402SA1-211	ASSY,FRAME,MAIN,402,SKY WHITE	1.01
CW402SA1-221	ASSY,FRAME,MAIN,402,BLACK	1.02
CW402SA1-231	ASSY,FRAME,MAIN,402,RED	1.03
CW402SA1-241	ASSY,FRAME,MAIN,402,PLATINUM SPRKLE	1.04
CW402SA1-251	ASSY,FRAME,MAIN,402,SILVER	1.05
CW402SA1-261	ASSY,FRAME,MAIN,402,BLUE	1.06
CW402SA1-271	ASSY,FRAME,MAIN,402,CHARCOAL	1.07
CW402SA1-291	ASSY,FRAME,MAIN,402,SILVER VIEN	1.09
CW402SA1-311	ASSY,FRAME,MAIN,402,STONE HG	1.11
CW402SA1-321	ASSY,FRAME,MAIN,402,TITANIUM HG	1.12
CW402SA1-331	ASSY,FRAME,MAIN,402,WHITE GLOSS	1.13
CW402SA1-341	ASSY,FRAME,MAIN,402,BLACK ONYX	1.14
CW402SA1-351	ASSY,FRAME,MAIN,402,LIGHT BRONZE	1.15
CW402SA1-361	ASSY,FRAME,MAIN,402,SAPPHIRE BLUE	1.16
CW402SA2-211	ASSY,SEAT FRAME,402,SKY WHITE	2.01
CW402SA2-212	ASSY,SEAT FRAME,402,SKY WHITE	2.01
CW402SA2-221	ASSY,SEAT FRAME,402,BLACK	2.02
CW402SA2-222	ASSY,SEAT FRAME,402,BLACK	2.02
CW402SA2-231	ASSY,SEAT FRAME,402,RED	2.03
CW402SA2-241	ASSY,SEAT FRAME,402, PLATINUM SPRKL	2.04
CW402SA2-251	ASSY,SEAT FRAME,402,SILVER	2.05
CW402SA2-261	ASSY,SEAT FRAME,402,BLUE	2.06
CW402SA2-271	ASSY,SEAT FRAME,402,CHARCOAL	2.07
CW402SA2-281	ASSY,SEAT FRAME,402,CATHEDRAL GREY	2.08
CW402SA2-291	ASSY,SEAT FRAME,402,SILVER VIEN	2.09
CW402SA2-311	ASSY,SEAT FRAME,402,STONE HG	2.11
CW402SA2-312	ASSY,SEAT FRAME,402,STONE HG	2.11
CW402SA2-321	ASSY,SEAT FRAME,402,TITANIUM HG	2.12
CW402SA2-322	ASSY,SEAT FRAME,402,TITANIUM HG	2.12
CW402SA2-331	ASSY,SEAT FRAME,402,WHITE GLOSS	2.13
CW402SA2-341	ASSY,SEAT FRAME,402,BLACK ONYX	2.14
CW402SA2-351	ASSY,SEAT FRAME,402,LIGHT BRONZE	2.15
CW402SA2-352	ASSY,SEAT FRAME,402,LIGHT BRONZE	2.15
CW402SA2-361	ASSY,SEAT FRAME,402,SAPPHIRE BLUE	2.16
CW402SA2-362	ASSY,SEAT FRAME,402,SAPPHIRE BLUE	2.16
CW402SA3-211	ASSY,HANDLE ADJUSTMENT,402,SKY WHIT	3.01
CW402SA3-221	ASSY,HANDLE ADJUSTMENT,402,BLACK	3.02
CW402SA3-231	ASSY,HANDLE ADJUSTMENT,402,RED	3.03
CW402SA3-241	ASSY,HANDLE ADJUSTMENT,402,PLAT SPK	3.04
CW402SA3-251	ASSY,HANDLE ADJUSTMENT,402,SILVER	3.05
CW402SA3-261	ASSY,HANDLE ADJUSTMENT,402,BLUE	3.06
CW402SA3-271	ASSY,HANDLE ADJUSTMENT,402,CHARCOAL	3.07
CW402SA3-281	ASSY,HANDLE ADJUSTMENT,402,CATH GRY	3.08
CW402SA3-291	ASSY,HANDLE ADJUSTMENT,402,SILVER V	3.09
CW402SA3-311	ASSY,HANDLE ADJUSTMENT,402,STONE HG	3.11
CW402SA3-321	ASSY,HANDLE ADJUSTMENT,402,TITANIUM	3.12
CW402SA3-331	ASSY,HANDLE ADJUSTMENT,402,WHITE GL	3.13
CW402SA3-341	ASSY,HANDLE ADJUSTMENT,402,BLACK ON	3.14
CW402SA3-351	ASSY,HANDLE ADJUSTMENT,402,LIGHT BR	3.15

CW402SA3-361	ASSY,HANDLE ADJUSTMENT,402,SAPPHIRE	3.16
CW402SA5-211	ASSY,LOWER FRAME LINK,402,SKY WHITE	5.01
CW402SA5-221	ASSY,LOWER FRAME LINK,402,BLACK	5.02
CW402SA5-231	ASSY,LOWER FRAME LINK,402,RED	5.03
CW402SA5-241	ASSY,LOWER FRAME LINK,402,PLATINUM	5.04
CW402SA5-251	ASSY,LOWER FRAME LINK,402,SILVER	5.05
CW402SA5-261	ASSY,LOWER FRAME LINK,402,BLUE	5.06
CW402SA5-271	ASSY,LOWER FRAME LINK,402,CHARCOAL	5.07
CW402SA5-281	ASSY,LOWER FRAME LINK,402,CATHEDRAL	5.08
CW402SA5-291	ASSY,LOWER FRAME LINK,402,SILVER VI	5.09
CW402SA5-311	ASSY,LOWER FRAME LINK,402,STONE HG	5.11
CW402SA5-321	ASSY,LOWER FRAME LINK,402,TITANIUM	5.12
CW402SA5-331	ASSY,LOWER FRAME LINK,402,WHITE GLO	5.13
CW402SA5-341	ASSY,LOWER FRAME LINK,402,BLACK ONY	5.14
CW402SA5-351	ASSY,LOWER FRAME LINK,402,LIGHT BRO	5.15
CW402SA5-361	ASSY,LOWER FRAME LINK,402,SAPPHIRE	5.16
CW402SA7-211	ASSY,UPPER FRAME LINK,402,SKY WHITE	6.01
CW402SA7-221	ASSY,UPPER FRAME LINK,402, BLACK	6.02
CW402SA7-231	ASSY,UPPER FRAME LINK,402,RED	6.03
CW402SA7-241	ASSY,UPPER FRAME LINK,402,PLATINUM	6.04
CW402SA7-251	ASSY,UPPER FRAME LINK,402,SILVER	6.05
CW402SA7-261	ASSY,UPPER FRAME LINK,402,BLUE	6.06
CW402SA7-271	ASSY,UPPER FRAME LINK,402,CHARCOAL	6.07
CW402SA7-281	ASSY,UPPER FRAME LINK,402,CATHEDRAL	6.08
CW402SA7-291	ASSY,UPPER FRAME LINK,402,SILVER VI	6.09
CW402SA7-311	ASSY,UPPER FRAME LINK,402,STONE HG	6.11
CW402SA7-321	ASSY,UPPER FRAME LINK,402,TITANIUM	6.12
CW402SA7-331	ASSY,UPPER FRAME LINK,402, WHITE GL	6.13
CW402SA7-341	ASSY,UPPER FRAME LINK,402,BLACK ONY	6.14
CW402SA7-351	ASSY,UPPER FRAME LINK,402,LIGHT BRO	6.15
CW402SA7-361	ASSY,UPPER FRAME LINK,402,SAPPHIRE	6.16
CW402SA8-211	ASSY,PRESS ARM,402,SKY WHITE	7.01
CW402SA8-221	ASSY,PRESS ARM,402,BLACK	7.02
CW402SA8-231	ASSY,PRESS ARM,402,RED	7.03
CW402SA8-241	ASSY,PRESS ARM,402,PLAT SPKLE	7.04
CW402SA8-251	ASSY,PRESS ARM,402,SILVER	7.05
CW402SA8-261	ASSY,PRESS ARM,402,BLUE	7.06
CW402SA8-271	ASSY,PRESS ARM,402,CHARCOAL	7.07
CW402SA8-281	ASSY,PRESS ARM,402,CATH GRY	7.08
CW402SA8-291	ASSY,PRESS ARM,402,SILVER VIEN	7.09
CW402SA8-311	ASSY,PRESS ARM,402,STONE HG	7.11
CW402SA8-321	ASSY,PRESS ARM,402,TITANIUM HG	7.12
CW402SA8-331	ASSY,PRESS ARM,402, WHITE GLOSS	7.13
CW402SA8-341	ASSY,PRESS ARM,402, BLACK ONYX	7.14
CW402SA8-351	ASSY,PRESS ARM,402, LIGHT BRONZE	7.15
CW402SA8-361	ASSY,PRESS ARM,402,SAPPHIRE BLUE	7.16
CWAC1009-101	PULLEY, 4 1/2 DIA. X 1/2 ID	11
CWAC1010-101	PULLEY, 6 DIA X 1/2 ID	12
CW10043-134	BUSHING, BRONZE, 1" ID X 1 1/4" OD	13
CW12406-101	PILLOW BLOCK, BEARING, 2 BOLT	14
CW12404-101	CAP, GUIDE ROD,DIA 3/4, BLK	15

CW30165-751	ASSY, POP PIN, 0.450 DIA HANDLE, B	16
CW32460-321	ASSY, RATCHETING LEVER, TITANIUM	16
CW11311-102	ENDCAP, REC TUBE, 2X4, BLK PLASTIC	17
CW12402-101	BUMPER, WEIGHT STACK, BLK RUBBER	18
CWGR2613-750	GRIP,RUBBER, 1" DIA, 13-3/4"	23
CWAC1228-901	SPACER, ALU,.328 ID X .625 OD X .25	24
CWAC1236-102	GUIDE INSERT, PLASTIC WITH HOLE, BL	26
CWAC1236-101	GUIDE INSERT, PLASTIC WITHOUT HOLE,	27
CWAC218-901	HANDLE END CAP W/SET SCREWS, DIA 1"	28
CWAC222-901	ASSY, SHAFT END CAP W/SET SCREWS, D	30
CWPF1214-711	GUIDE ROD,STEEL,OD 3/4 X 52 5/8, CH	31
CW32212-711	ASSEMBLY, SEATPAD ADJUSTMENT, 8 HO	32
CWCP1052-101	CUT PIECE, CREPE, 7/16 X 6 X (9 11/	33
CWCP1059-101	CUT PIECE,UHMW RND, 1 1/2 OD X 1.02	34
CWCLGG109-500	ASSY, CABLE, 402	35
CWPD1102J-101	PAD,FLAT,10X36,4HOLES,W/BP,BLACK,W/	36.01
CWPD1102J-102	PAD,FLAT,10X36,4HOLES,W/BP,RYL BL,W	36.02
CWPD1102J-103	PAD,FLAT,10X36,4HOLES,W/BP,DVE GRY,	36.03
CWPD1102J-104	PAD,FLAT,10X36,4HOLES,W/BP,CROCUS,W	36.04
CWPD1102J-105	PAD,FLAT,10X36,4HOLES,W/BP,GROTTO,W	36.05
CWPD1102J-106	PAD,FLAT,10X36,4HOLES,W/BP,GRAPHITE	36.06
CWPD1102J-107	PAD,FLAT,10X36,4HOLES,W/BP,RED,W/SL	36.07
CWPD1102J-108	PAD,FLAT,10X36,4HOLES,W/BP,CHN GRN,	36.08
CWPD1102J-109	PAD,FLAT,10X36,4HOLES,W/BP,TURQSE,W	36.09
CWPD1102J-110	PAD,FLAT,10X36,4HOLES,W/BP,RASP,W/S	36.1
CWPD1102J-111	PAD,FLAT,10X36,4HOLES,W/BP,PLUM,W/S	36.11
CWPD1102J-112	PAD,FLAT,10X36,4HOLES,W/BP,REGIMENT	36.12
CWPD1102J-113	PAD,FLAT,10X36,4HOLES,W/BP,SPC BLUE	36.13
CWPD1102J-115	PAD,FLAT,10X36,4HOLES,W/BP,BLK LTHR	36.15
CWPD1102J-116	PAD,FLAT,10X36,4HOLES,W/BP,NVBL LTH	36.16
CWPD1102J-117	PAD,FLAT,10X36,4HOLES,W/BP,PUTTY,W/	36.17
CWPD1102J-118	PAD,FLAT,10X36,4HOLES,W/BP,IMPRL BL	36.18
CWPD1102J-119	PAD,FLAT,10X36,4HOLES,W/BP,YEW GRN,	36.19
CWPD1102J-120	PAD,FLAT,10X36,4HOLES,W/BP,DSTY JDE	36.2
CWPD1102J-121	PAD,FLAT,10X36,4HLS,W/BP,TRRA CTTA,	36.21
CWPD1102J-122	PAD,FLAT,10X36,4HOLES,W/BP,PAPRIKA,	36.22
CWPD1102J-123	PAD,FLAT,10X36,4HLS,W/BP,ASH LTHR,W	36.23
CWPD1102J-124	PAD,FLAT,10X36,4HL,W/BP,CERULN LTH,	36.24
CWPD1102J-125	PAD,FLAT,10X36,4HL,W/BP,CHARCL LTH,	36.25
CWPD1102J-126	PAD,FLAT,10X36,4HLS,W/BP,HUNTER LTH	36.26
CWPD1102J-127	PAD,FLAT,10X36,4HLS,W/BP,MOSS LTH,W	36.27
CWPD1102J-128	PAD,FLAT,10X36,4HLS,W/BP,SPICE LTH,	36.28
CWPD1102J-129	PAD,FLAT,10X36,4HLS,W/BP,TOMATO LTH	36.29
CWPD1207B-101	PAD,5X9X14.5,4HOLES,W/BP,BLACK	37.01
CWPD1207B-102	PAD,5X9X14.5,4HOLES,W/BP,RYL BL	37.02
CWPD1207B-103	PAD,5X9X14.5,4HOLES,W/BP,DVE GRY	37.03
CWPD1207B-104	PAD,5X9X14.5,4HOLES,W/BP,CROCUS	37.04
CWPD1207B-105	PAD,5X9X14.5,4HOLES,W/BP,GROTTO	37.05
CWPD1207B-106	PAD,5X9X14.5,4HOLES,W/BP,GRAPHITE	37.06
CWPD1207B-107	PAD,5X9X14.5,4HOLES,W/BP,RED	37.07
CWPD1207B-108	PAD,5X9X14.5,4HOLES,W/BP,CHN GRN	37.08

CWPD1207B-109	PAD,5X9X14.5,4HOLES,W/BP,TURQSE	37.09
CWPD1207B-110	PAD,5X9X14.5,4HOLES,W/BP,RASP	37.1
CWPD1207B-111	PAD,5X9X14.5,4HOLES,W/BP,PLUM	37.11
CWPD1207B-112	PAD,5X9X14.5,4HOLES,W/BP,REGIMENT	37.12
CWPD1207B-113	PAD,5X9X14.5,4HOLES,W/BP,SPC BLUE	37.13
CWPD1207B-115	PAD,5X9X14.5,4HOLES,W/BP,BLK LTHR	37.15
CWPD1207B-116	PAD,5X9X14.5,4HOLES,W/BP,NVBL LTH	37.16
CWPD1207B-117	PAD,5X9X14.5,4HOLES,W/BP,PUTTY	37.17
CWPD1207B-119	PAD,5X9X14.5,4HOLES,W/BP,YEW GRN	37.19
CWPD1207B-120	PAD,5X9X14.5,4HOLES,W/BP,DSTY JD	37.2
CWPD1207B-121	PAD,5X9X14.5,4HOLES,W/BP,TER COT	37.21
CWPD1207B-122	PAD,5X9X14.5,4HOLES,W/BP,PAPRIKA	37.22
CWPD1207B-123	PAD,5X9X14.5,4HLS,W/BP,ASH LTHR	37.23
CWPD1207B-124	PAD,5X9X14.5,4HLS,W/BP,CERULAN LTHR	37.24
CWPD1207B-125	PAD,5X9X14.5,4HLS,W/BP,CHARCOAL LTH	37.25
CWPD1207B-126	PAD,5X9X14.5,4HLS,W/BP,HUNTER LTHR	37.26
CWPD1207B-128	PAD,5X9X14.5,4HLS,W/BP,SPICE LTHR	37.28
CWPD1207B-129	PAD,5X9X14.5,4HLS,W/BP,TOMATO LTH	37.29
CWPF1016-731	BAR,,FLAT CR/HR, 3/8 X 2 X 8 1/4, 3	38
CWSA1507-721	WELDMENT, COUNTER WEIGHT, 3" THK, W	39
CW30103-200	WEIGHT STACK,200 LBS,MTP-S,19 X 10	40
CWHCYN050-100	SCREW,HEX HEAD,BLK XYLAN,1/2-13 X 1	41
CWKADLN050-081	NUT, ACORN, 1/2-13	42
CW12537-109	NUT,INSERT,THIN-NUT,LARGE FLANGE	43
CWTAYN031-100	SCREW, BUTTON HEAD, BLK XYLAN, 5/1	44
CWTAYN031-150	SCREW, BUTTON HEAD, BLK XYLAN,5/16	45
CWTAYN031-300	SCREW, BUTTON HEAD, BLK XYLAN,5/16	46
CWCAYN038-100	SCREW, SOCKET HEAD, BLK XYLAN, 3/	47
CWBFNN050-250	STUD, 1/2-13 X 2 1/2	48
CWWBKN031-007	WASHER, FLAT, TYPE A, SAE, 5/16 ID	49
CWWBKN038-007	WASHER, FLAT, TYPE A, SAE, 3/8 ID	50
CWWBKN050-010	WASHER, FLAT, TYPE A, SAE, 1/2 ID X	51
CWWALYN031-008	WASHER, SPLIT, 5/16 ID, BL	52
CWWALYN038-009	WASHER, SPLIT, 3/8 ID, BLK XYLAN	53
CWWALYN050-013	WASHER, SPLIT, 1/2 ID, BLK XYLAN	54
CWCAYN038-125	SCREW, SOCKET HEAD, BLK X	55
CW30010-101	LABEL,WARNING STRENGTH	56
CW30143-101	ASSY, LABEL,INSTRUCTION,402	57
CW31756-101	LABEL, PRECOR USA ICARIAN LINE	58
CW31784-731	STOP PLUG, BLK ZN	59
CWPF4002-711	WELDMENT, SEAT ADJUST, 20 DEGREE, 8	70
CWAC220-901	HANDLE END CAP W/SET SCREWS, DIA 3/	71
CW12634-101	SPRING, TORSION 90 DEG X 0.484 X 0.	72
CWGR2505-000	GRIP,RUBBER,3/4" DIA, 5"	72
CW31770-742	LATCH PIVOTING PIN, CLR ZN	73
CWAMNN028-003	RING, RETAINING, 2-TURN, SPIRAL, SS	74
CW12633-101	ENDCAP, REC TUBE, LDP, 1 1/2 X 3 1	75
CW10510-721	ASSY, PLATE, WEIGHT, 10 LBS, WRKL B	201
CW10520-721	ASSY, PLATE, WEIGHT, 20 LBS, WRKL B	202
CWAC1133-101	BUSHING, WEIGHT PLATE, LDPE PLASTIC	203
CW30172-751	ASSY, 4.00 IN WEIGHT STACK PIN AND	227



CW30173-751	ASSY, 6.00 IN WEIGHT STACK PIN AND	228
CWLDNN038-200	PIN, ROLL, DIA 3/8 X 2	250
CW30184-901	ASSY,BARREL, TOP PLATE,ALUMINUM	251
CW10550-722	PLATE, WEIGHT, MED TOP (MTP-S), 10	283
CW30132-711	SELECTOR STEM, 20 PLATE,0 .875 DIA,	308
CW30011-101	LABEL,WARNING WEIGHT STACK	311
CW12401-106	LABEL, WEIGHT PLATE, 20 LBS/ 8 KG	319
CW12401-110	LABEL, WEIGHT PLATE, 30 LBS/ 13.6 K	323
CW12401-114	LABEL, WEIGHT PLATE, 40 LBS/ 18.2 K	327
CW12401-118	LABEL, WEIGHT PLATE, 50 LBS/ 22.7 K	331
CW12401-120	LABEL, WEIGHT PLATE, 60 LBS/ 27.3 K	333
CW12401-122	LABEL, WEIGHT PLATE, 70 LBS/ 31.8 K	335
CW12401-124	LABEL, WEIGHT PLATE, 80 LBS/ 36.4 K	337
CW12401-126	LABEL, WEIGHT PLATE, 90 LBS/ 40.9 K	339
CW12401-128	LABEL, WEIGHT PLATE, 100 LBS/ 45.5	341
CW12401-129	LABEL, WEIGHT PLATE, 110 LBS/ 50 KG	342
CW12401-130	LABEL, WEIGHT PLATE, 120 LBS/ 54.6	343
CW12401-131	LABEL, WEIGHT PLATE, 130 LBS/ 59.1	344
CW12401-132	LABEL, WEIGHT PLATE, 140 LBS/ 63.6	345
CW12401-133	LABEL, WEIGHT PLATE, 150 LBS/ 68.2	346
CW12401-134	LABEL, WEIGHT PLATE, 160 LBS/ 72.7	347
CW12401-135	LABEL, WEIGHT PLATE, 170 LBS/ 77.3	348
CW12401-136	LABEL, WEIGHT PLATE, 180 LBS/ 81.8	349
CW12401-137	LABEL, WEIGHT PLATE, 190 LBS/ 86.4	350
CW12401-138	LABEL, WEIGHT PLATE, 200 LBS/ 90.9	351
CW12401-139	LABEL, WEIGHT PLATE, 210 LBS/ 95.5	352
CW12401-141	LABEL, WEIGHT PLATE, 230 LBS/ 104.6	354
CW12401-143	LABEL, WEIGHT PLATE, 250 LBS/ 113.6	356
CW12537-109	NUT,INSERT,THIN-NUT,LARGE FLANGE	400
CW30126-101	LABEL,VINYL, PRECOR, 3.25 X 18.0	401
CWKAYN031-025	LOCKNUT, NYLON INSERT, HALF, UNC,	402
CWPF2307-721	BAR, FLAT 3/16 X 1 X (23 3/4), 4 BE	403
CWPF3143-211	SHROUD,SHEET,STEEL,3/32 THICK,4 BEN	404.01
CWPF3143-221	SHROUD,SHEET,STEEL,3/32 THICK,4 BEN	404.02
CWPF3143-231	SHROUD,SHEET,STEEL,3/32 THICK,4 BEN	404.03
CWPF3143-241	SHROUD,SHEET,STEEL,3/32 THICK,4 BEN	404.04
CWPF3143-251	SHROUD,SHEET,STEEL,3/32 THICK,4 BEN	404.05
CWPF3143-261	SHROUD,SHEET,STEEL,3/32 THICK,4 BEN	404.06
CWPF3143-271	SHROUD,SHEET,STEEL,3/32 THICK,4 BEN	404.07
CWPF3143-281	SHROUD,SHEET,STEEL,3/32 THICK,4 BEN	404.08
CWPF3143-291	SHROUD,SHEET,STEEL,3/32 THICK,4 BEN	404.09
CWPF3143-311	SHROUD,SHEET,STEEL,3/32 THICK,4 BEN	404.11
CWPF3143-321	SHROUD,SHEET,STEEL,3/32 THICK,4 BEN	404.12
CWPF3143-331	SHROUD,SHEET,STEEL,3/32 THICK,4 BEN	404.13
CWPF3143-341	SHROUD,SHEET,STEEL,3/32 THICK,4 BEN	404.14
CWPF3143-351	SHROUD,SHEET,STEEL,3/32 THICK,4 BEN	404.15
CWPF3143-361	SHROUD,SHEET,STEEL,3/32 THICK,4 BEN	404.16
CWPF3143-711	SHROUD,SHEET,STEEL,3/32 THICK,4 BEN	404.17
CWPF3144-721	SHROUD BRKT,PLATE,STEEL,1/8 THICK,1	405
CWTAYN031-100	SCREW, BUTTON HEAD, BLK XYLAN, 5/1	406
CWWALYN031-008	WASHER, SPLIT, 5/16 ID, BL	407

CWWBKN031-007	WASHER, FLAT, TYPE A, SAE, 5/16 ID	408
CWAC1177-101	FLOOR PROTECTOR, RUBBER, 4.563 X 4.	501
CWAC1178-101	FLOOR PROTECTOR, RUBBER, 2.563 X 6.	502

**402 Incline Press Advanced**

<b>Part Number</b>	<b>Description</b>	<b>Bubble Number</b>
CW402SA1-211	ASSY,FRAME,MAIN,402,SKY WHITE	1.01
CW402SA1-221	ASSY,FRAME,MAIN,402,BLACK	1.02
CW402SA1-231	ASSY,FRAME,MAIN,402,RED	1.03
CW402SA1-241	ASSY,FRAME,MAIN,402,PLATINUM SPRKLE	1.04
CW402SA1-251	ASSY,FRAME,MAIN,402,SILVER	1.05
CW402SA1-261	ASSY,FRAME,MAIN,402,BLUE	1.06
CW402SA1-271	ASSY,FRAME,MAIN,402,CHARCOAL	1.07
CW402SA1-291	ASSY,FRAME,MAIN,402,SILVER VIEN	1.09
CW402SA1-311	ASSY,FRAME,MAIN,402,STONE HG	1.11
CW402SA1-321	ASSY,FRAME,MAIN,402,TITANIUM HG	1.12
CW402SA1-331	ASSY,FRAME,MAIN,402,WHITE GLOSS	1.13
CW402SA1-341	ASSY,FRAME,MAIN,402,BLACK ONYX	1.14
CW402SA1-351	ASSY,FRAME,MAIN,402,LIGHT BRONZE	1.15
CW402SA1-361	ASSY,FRAME,MAIN,402,SAPPHIRE BLUE	1.16
CW402SA2-211	ASSY,SEAT FRAME,402,SKY WHITE	2.01
CW402SA2-212	ASSY,SEAT FRAME,402,SKY WHITE	2.01
CW402SA2-221	ASSY,SEAT FRAME,402,BLACK	2.02
CW402SA2-222	ASSY,SEAT FRAME,402,BLACK	2.02
CW402SA2-231	ASSY,SEAT FRAME,402,RED	2.03
CW402SA2-241	ASSY,SEAT FRAME,402, PLATINUM SPRKL	2.04
CW402SA2-251	ASSY,SEAT FRAME,402,SILVER	2.05
CW402SA2-261	ASSY,SEAT FRAME,402,BLUE	2.06
CW402SA2-271	ASSY,SEAT FRAME,402,CHARCOAL	2.07
CW402SA2-281	ASSY,SEAT FRAME,402,CATHEDRAL GREY	2.08
CW402SA2-291	ASSY,SEAT FRAME,402,SILVER VIEN	2.09
CW402SA2-311	ASSY,SEAT FRAME,402,STONE HG	2.11
CW402SA2-312	ASSY,SEAT FRAME,402,STONE HG	2.11
CW402SA2-321	ASSY,SEAT FRAME,402,TITANIUM HG	2.12
CW402SA2-322	ASSY,SEAT FRAME,402,TITANIUM HG	2.12
CW402SA2-331	ASSY,SEAT FRAME,402,WHITE GLOSS	2.13
CW402SA2-341	ASSY,SEAT FRAME,402,BLACK ONYX	2.14
CW402SA2-351	ASSY,SEAT FRAME,402,LIGHT BRONZE	2.15
CW402SA2-352	ASSY,SEAT FRAME,402,LIGHT BRONZE	2.15
CW402SA2-361	ASSY,SEAT FRAME,402,SAPPHIRE BLUE	2.16
CW402SA2-362	ASSY,SEAT FRAME,402,SAPPHIRE BLUE	2.16
CW402SA3-211	ASSY,HANDLE ADJUSTMENT,402,SKY WHIT	3.01
CW402SA3-221	ASSY,HANDLE ADJUSTMENT,402,BLACK	3.02
CW402SA3-231	ASSY,HANDLE ADJUSTMENT,402,RED	3.03
CW402SA3-241	ASSY,HANDLE ADJUSTMENT,402,PLAT SPK	3.04
CW402SA3-251	ASSY,HANDLE ADJUSTMENT,402,SILVER	3.05
CW402SA3-261	ASSY,HANDLE ADJUSTMENT,402,BLUE	3.06
CW402SA3-271	ASSY,HANDLE ADJUSTMENT,402,CHARCOAL	3.07
CW402SA3-281	ASSY,HANDLE ADJUSTMENT,402,CATH GRY	3.08
CW402SA3-291	ASSY,HANDLE ADJUSTMENT,402,SILVER V	3.09
CW402SA3-311	ASSY,HANDLE ADJUSTMENT,402,STONE HG	3.11
CW402SA3-321	ASSY,HANDLE ADJUSTMENT,402,TITANIUM	3.12
CW402SA3-331	ASSY,HANDLE ADJUSTMENT,402,WHITE GL	3.13
CW402SA3-341	ASSY,HANDLE ADJUSTMENT,402,BLACK ON	3.14
CW402SA3-351	ASSY,HANDLE ADJUSTMENT,402,LIGHT BR	3.15

CW402SA3-361	ASSY,HANDLE ADJUSTMENT,402,SAPPHIRE	3.16
CW402SA5-211	ASSY,LOWER FRAME LINK,402,SKY WHITE	5.01
CW402SA5-221	ASSY,LOWER FRAME LINK,402,BLACK	5.02
CW402SA5-231	ASSY,LOWER FRAME LINK,402,RED	5.03
CW402SA5-241	ASSY,LOWER FRAME LINK,402,PLATINUM	5.04
CW402SA5-251	ASSY,LOWER FRAME LINK,402,SILVER	5.05
CW402SA5-261	ASSY,LOWER FRAME LINK,402,BLUE	5.06
CW402SA5-271	ASSY,LOWER FRAME LINK,402,CHARCOAL	5.07
CW402SA5-281	ASSY,LOWER FRAME LINK,402,CATHEDRAL	5.08
CW402SA5-291	ASSY,LOWER FRAME LINK,402,SILVER VI	5.09
CW402SA5-311	ASSY,LOWER FRAME LINK,402,STONE HG	5.11
CW402SA5-321	ASSY,LOWER FRAME LINK,402,TITANIUM	5.12
CW402SA5-331	ASSY,LOWER FRAME LINK,402,WHITE GLO	5.13
CW402SA5-341	ASSY,LOWER FRAME LINK,402,BLACK ONY	5.14
CW402SA5-351	ASSY,LOWER FRAME LINK,402,LIGHT BRO	5.15
CW402SA5-361	ASSY,LOWER FRAME LINK,402,SAPPHIRE	5.16
CW402SA7-211	ASSY,UPPER FRAME LINK,402,SKY WHITE	6.01
CW402SA7-221	ASSY,UPPER FRAME LINK,402, BLACK	6.02
CW402SA7-231	ASSY,UPPER FRAME LINK,402,RED	6.03
CW402SA7-241	ASSY,UPPER FRAME LINK,402,PLATINUM	6.04
CW402SA7-251	ASSY,UPPER FRAME LINK,402,SILVER	6.05
CW402SA7-261	ASSY,UPPER FRAME LINK,402,BLUE	6.06
CW402SA7-271	ASSY,UPPER FRAME LINK,402,CHARCOAL	6.07
CW402SA7-281	ASSY,UPPER FRAME LINK,402,CATHEDRAL	6.08
CW402SA7-291	ASSY,UPPER FRAME LINK,402,SILVER VI	6.09
CW402SA7-311	ASSY,UPPER FRAME LINK,402,STONE HG	6.11
CW402SA7-321	ASSY,UPPER FRAME LINK,402,TITANIUM	6.12
CW402SA7-331	ASSY,UPPER FRAME LINK,402, WHITE GL	6.13
CW402SA7-341	ASSY,UPPER FRAME LINK,402,BLACK ONY	6.14
CW402SA7-351	ASSY,UPPER FRAME LINK,402,LIGHT BRO	6.15
CW402SA7-361	ASSY,UPPER FRAME LINK,402,SAPPHIRE	6.16
CW402SA8-211	ASSY,PRESS ARM,402,SKY WHITE	7.01
CW402SA8-221	ASSY,PRESS ARM,402,BLACK	7.02
CW402SA8-231	ASSY,PRESS ARM,402,RED	7.03
CW402SA8-241	ASSY,PRESS ARM,402,PLAT SPKLE	7.04
CW402SA8-251	ASSY,PRESS ARM,402,SILVER	7.05
CW402SA8-261	ASSY,PRESS ARM,402,BLUE	7.06
CW402SA8-271	ASSY,PRESS ARM,402,CHARCOAL	7.07
CW402SA8-281	ASSY,PRESS ARM,402,CATH GRY	7.08
CW402SA8-291	ASSY,PRESS ARM,402,SILVER VIEN	7.09
CW402SA8-311	ASSY,PRESS ARM,402,STONE HG	7.11
CW402SA8-321	ASSY,PRESS ARM,402,TITANIUM HG	7.12
CW402SA8-331	ASSY,PRESS ARM,402, WHITE GLOSS	7.13
CW402SA8-341	ASSY,PRESS ARM,402, BLACK ONYX	7.14
CW402SA8-351	ASSY,PRESS ARM,402, LIGHT BRONZE	7.15
CW402SA8-361	ASSY,PRESS ARM,402,SAPPHIRE BLUE	7.16
CWAC1009-101	PULLEY, 4 1/2 DIA. X 1/2 ID	11
CWAC1010-101	PULLEY, 6 DIA X 1/2 ID	12
CW10043-134	BUSHING, BRONZE, 1" ID X 1 1/4" OD	13
CW12406-101	PILLOW BLOCK, BEARING, 2 BOLT	14
CW12404-101	CAP, GUIDE ROD,DIA 3/4, BLK	15

CW30165-751	ASSY, POP PIN, 0.450 DIA HANDLE, B	16
CW32460-321	ASSY, RATCHETING LEVER, TITANIUM	16
CW11311-102	ENDCAP, REC TUBE, 2X4, BLK PLASTIC	17
CW12402-101	BUMPER, WEIGHT STACK, BLK RUBBER	18
CWGR2613-750	GRIP,RUBBER, 1" DIA, 13-3/4"	23
CWAC1228-901	SPACER, ALU,.328 ID X .625 OD X .25	24
CWAC1236-102	GUIDE INSERT, PLASTIC WITH HOLE, BL	26
CWAC1236-101	GUIDE INSERT, PLASTIC WITHOUT HOLE,	27
CWAC218-901	HANDLE END CAP W/SET SCREWS, DIA 1"	28
CWAC222-901	ASSY, SHAFT END CAP W/SET SCREWS, D	30
CWPF1214-711	GUIDE ROD,STEEL,OD 3/4 X 52 5/8, CH	31
CW32212-711	ASSEMBLY, SEATPAD ADJUSTMENT, 8 HO	32
CWCP1052-101	CUT PIECE, CREPE, 7/16 X 6 X (9 11/	33
CWCP1059-101	CUT PIECE,UHMW RND, 1 1/2 OD X 1.02	34
CWCLGG109-500	ASSY, CABLE, 402	35
CWPD1102J-101	PAD,FLAT,10X36,4HOLES,W/BP,BLACK,W/	36.01
CWPD1102J-102	PAD,FLAT,10X36,4HOLES,W/BP,RYL BL,W	36.02
CWPD1102J-103	PAD,FLAT,10X36,4HOLES,W/BP,DVE GRY,	36.03
CWPD1102J-104	PAD,FLAT,10X36,4HOLES,W/BP,CROCUS,W	36.04
CWPD1102J-105	PAD,FLAT,10X36,4HOLES,W/BP,GROTTO,W	36.05
CWPD1102J-106	PAD,FLAT,10X36,4HOLES,W/BP,GRAPHITE	36.06
CWPD1102J-107	PAD,FLAT,10X36,4HOLES,W/BP,RED,W/SL	36.07
CWPD1102J-108	PAD,FLAT,10X36,4HOLES,W/BP,CHN GRN,	36.08
CWPD1102J-109	PAD,FLAT,10X36,4HOLES,W/BP,TURQSE,W	36.09
CWPD1102J-110	PAD,FLAT,10X36,4HOLES,W/BP,RASP,W/S	36.1
CWPD1102J-111	PAD,FLAT,10X36,4HOLES,W/BP,PLUM,W/S	36.11
CWPD1102J-112	PAD,FLAT,10X36,4HOLES,W/BP,REGIMENT	36.12
CWPD1102J-113	PAD,FLAT,10X36,4HOLES,W/BP,SPC BLUE	36.13
CWPD1102J-115	PAD,FLAT,10X36,4HOLES,W/BP,BLK LTHR	36.15
CWPD1102J-116	PAD,FLAT,10X36,4HOLES,W/BP,NVBL LTH	36.16
CWPD1102J-117	PAD,FLAT,10X36,4HOLES,W/BP,PUTTY,W/	36.17
CWPD1102J-118	PAD,FLAT,10X36,4HOLES,W/BP,IMPRL BL	36.18
CWPD1102J-119	PAD,FLAT,10X36,4HOLES,W/BP,YEW GRN,	36.19
CWPD1102J-120	PAD,FLAT,10X36,4HOLES,W/BP,DSTY JDE	36.2
CWPD1102J-121	PAD,FLAT,10X36,4HLS,W/BP,TRRA CTTA,	36.21
CWPD1102J-122	PAD,FLAT,10X36,4HOLES,W/BP,PAPRIKA,	36.22
CWPD1102J-123	PAD,FLAT,10X36,4HLS,W/BP,ASH LTHR,W	36.23
CWPD1102J-124	PAD,FLAT,10X36,4HL,W/BP,CERULN LTH,	36.24
CWPD1102J-125	PAD,FLAT,10X36,4HL,W/BP,CHARCL LTH,	36.25
CWPD1102J-126	PAD,FLAT,10X36,4HLS,W/BP,HUNTER LTH	36.26
CWPD1102J-127	PAD,FLAT,10X36,4HLS,W/BP,MOSS LTH,W	36.27
CWPD1102J-128	PAD,FLAT,10X36,4HLS,W/BP,SPICE LTH,	36.28
CWPD1102J-129	PAD,FLAT,10X36,4HLS,W/BP,TOMATO LTH	36.29
CWPD1207B-101	PAD,5X9X14.5,4HOLES,W/BP,BLACK	37.01
CWPD1207B-102	PAD,5X9X14.5,4HOLES,W/BP,RYL BL	37.02
CWPD1207B-103	PAD,5X9X14.5,4HOLES,W/BP,DVE GRY	37.03
CWPD1207B-104	PAD,5X9X14.5,4HOLES,W/BP,CROCUS	37.04
CWPD1207B-105	PAD,5X9X14.5,4HOLES,W/BP,GROTTO	37.05
CWPD1207B-106	PAD,5X9X14.5,4HOLES,W/BP,GRAPHITE	37.06
CWPD1207B-107	PAD,5X9X14.5,4HOLES,W/BP,RED	37.07
CWPD1207B-108	PAD,5X9X14.5,4HOLES,W/BP,CHN GRN	37.08

CWPD1207B-109	PAD,5X9X14.5,4HOLES,W/BP,TURQSE	37.09
CWPD1207B-110	PAD,5X9X14.5,4HOLES,W/BP,RASP	37.1
CWPD1207B-111	PAD,5X9X14.5,4HOLES,W/BP,PLUM	37.11
CWPD1207B-112	PAD,5X9X14.5,4HOLES,W/BP,REGIMENT	37.12
CWPD1207B-113	PAD,5X9X14.5,4HOLES,W/BP,SPC BLUE	37.13
CWPD1207B-115	PAD,5X9X14.5,4HOLES,W/BP,BLK LTHR	37.15
CWPD1207B-116	PAD,5X9X14.5,4HOLES,W/BP,NVBL LTH	37.16
CWPD1207B-117	PAD,5X9X14.5,4HOLES,W/BP,PUTTY	37.17
CWPD1207B-119	PAD,5X9X14.5,4HOLES,W/BP,YEW GRN	37.19
CWPD1207B-120	PAD,5X9X14.5,4HOLES,W/BP,DSTY JD	37.2
CWPD1207B-121	PAD,5X9X14.5,4HOLES,W/BP,TER COT	37.21
CWPD1207B-122	PAD,5X9X14.5,4HOLES,W/BP,PAPRIKA	37.22
CWPD1207B-123	PAD,5X9X14.5,4HLS,W/BP,ASH LTHR	37.23
CWPD1207B-124	PAD,5X9X14.5,4HLS,W/BP,CERULAN LTHR	37.24
CWPD1207B-125	PAD,5X9X14.5,4HLS,W/BP,CHARCOAL LTH	37.25
CWPD1207B-126	PAD,5X9X14.5,4HLS,W/BP,HUNTER LTHR	37.26
CWPD1207B-128	PAD,5X9X14.5,4HLS,W/BP,SPICE LTHR	37.28
CWPD1207B-129	PAD,5X9X14.5,4HLS,W/BP,TOMATO LTH	37.29
CWPF1016-731	BAR,,FLAT CR/HR, 3/8 X 2 X 8 1/4, 3	38
CWSA1507-721	WELDMENT, COUNTER WEIGHT, 3" THK, W	39
CW30103-200	WEIGHT STACK,200 LBS,MTP-S,19 X 10	40
CWHCYN050-100	SCREW,HEX HEAD,BLK XYLAN,1/2-13 X 1	41
CWKADLN050-081	NUT, ACORN, 1/2-13	42
CW12537-109	NUT,INSERT,THIN-NUT,LARGE FLANGE	43
CWTAYN031-100	SCREW, BUTTON HEAD, BLK XYLAN, 5/1	44
CWTAYN031-150	SCREW, BUTTON HEAD, BLK XYLAN,5/16	45
CWTAYN031-300	SCREW, BUTTON HEAD, BLK XYLAN,5/16	46
CWCAYN038-100	SCREW, SOCKET HEAD, BLK XYLAN, 3/	47
CWBFNN050-250	STUD, 1/2-13 X 2 1/2	48
CWWBKN031-007	WASHER, FLAT, TYPE A, SAE, 5/16 ID	49
CWWBKN038-007	WASHER, FLAT, TYPE A, SAE, 3/8 ID	50
CWWBKN050-010	WASHER, FLAT, TYPE A, SAE, 1/2 ID X	51
CWWALYN031-008	WASHER, SPLIT, 5/16 ID, BL	52
CWWALYN038-009	WASHER, SPLIT, 3/8 ID, BLK XYLAN	53
CWWALYN050-013	WASHER, SPLIT, 1/2 ID, BLK XYLAN	54
CWCAYN038-125	SCREW, SOCKET HEAD, BLK X	55
CW30010-101	LABEL,WARNING STRENGTH	56
CW30143-101	ASSY, LABEL,INSTRUCTION,402	57
CW31756-101	LABEL, PRECOR USA ICARIAN LINE	58
CW31784-731	STOP PLUG, BLK ZN	59
CWPF4002-711	WELDMENT, SEAT ADJUST, 20 DEGREE, 8	70
CWAC220-901	HANDLE END CAP W/SET SCREWS, DIA 3/	71
CW12634-101	SPRING, TORSION 90 DEG X 0.484 X 0.	72
CWGR2505-000	GRIP,RUBBER,3/4" DIA, 5"	72
CW31770-742	LATCH PIVOTING PIN, CLR ZN	73
CWAMNN028-003	RING, RETAINING, 2-TURN, SPIRAL, SS	74
CW12633-101	ENDCAP, REC TUBE, LDP, 1 1/2 X 3 1	75
CW10510-721	ASSY, PLATE, WEIGHT, 10 LBS, WRKL B	201
CW10520-721	ASSY, PLATE, WEIGHT, 20 LBS, WRKL B	202
CWAC1133-101	BUSHING, WEIGHT PLATE, LDPE PLASTIC	203
CW30172-751	ASSY, 4.00 IN WEIGHT STACK PIN AND	227

CW30173-751	ASSY, 6.00 IN WEIGHT STACK PIN AND	228
CWLDNN038-200	PIN, ROLL, DIA 3/8 X 2	250
CW30184-901	ASSY,BARREL, TOP PLATE,ALUMINUM	251
CW10550-722	PLATE, WEIGHT, MED TOP (MTP-S), 10	283
CW30132-711	SELECTOR STEM, 20 PLATE,0 .875 DIA,	308
CW30011-101	LABEL,WARNING WEIGHT STACK	311
CW12401-106	LABEL, WEIGHT PLATE, 20 LBS/ 8 KG	319
CW12401-110	LABEL, WEIGHT PLATE, 30 LBS/ 13.6 K	323
CW12401-114	LABEL, WEIGHT PLATE, 40 LBS/ 18.2 K	327
CW12401-118	LABEL, WEIGHT PLATE, 50 LBS/ 22.7 K	331
CW12401-120	LABEL, WEIGHT PLATE, 60 LBS/ 27.3 K	333
CW12401-122	LABEL, WEIGHT PLATE, 70 LBS/ 31.8 K	335
CW12401-124	LABEL, WEIGHT PLATE, 80 LBS/ 36.4 K	337
CW12401-126	LABEL, WEIGHT PLATE, 90 LBS/ 40.9 K	339
CW12401-128	LABEL, WEIGHT PLATE, 100 LBS/ 45.5	341
CW12401-129	LABEL, WEIGHT PLATE, 110 LBS/ 50 KG	342
CW12401-130	LABEL, WEIGHT PLATE, 120 LBS/ 54.6	343
CW12401-131	LABEL, WEIGHT PLATE, 130 LBS/ 59.1	344
CW12401-132	LABEL, WEIGHT PLATE, 140 LBS/ 63.6	345
CW12401-133	LABEL, WEIGHT PLATE, 150 LBS/ 68.2	346
CW12401-134	LABEL, WEIGHT PLATE, 160 LBS/ 72.7	347
CW12401-135	LABEL, WEIGHT PLATE, 170 LBS/ 77.3	348
CW12401-136	LABEL, WEIGHT PLATE, 180 LBS/ 81.8	349
CW12401-137	LABEL, WEIGHT PLATE, 190 LBS/ 86.4	350
CW12401-138	LABEL, WEIGHT PLATE, 200 LBS/ 90.9	351
CW12401-139	LABEL, WEIGHT PLATE, 210 LBS/ 95.5	352
CW12401-141	LABEL, WEIGHT PLATE, 230 LBS/ 104.6	354
CW12401-143	LABEL, WEIGHT PLATE, 250 LBS/ 113.6	356
CW12537-109	NUT,INSERT,THIN-NUT,LARGE FLANGE	400
CW30126-101	LABEL,VINYL, PRECOR, 3.25 X 18.0	401
CWKAYN031-025	LOCKNUT, NYLON INSERT, HALF, UNC,	402
CWPF2307-721	BAR, FLAT 3/16 X 1 X (23 3/4), 4 BE	403
CWPF3143-211	SHROUD,SHEET,STEEL,3/32 THICK,4 BEN	404.01
CWPF3143-221	SHROUD,SHEET,STEEL,3/32 THICK,4 BEN	404.02
CWPF3143-231	SHROUD,SHEET,STEEL,3/32 THICK,4 BEN	404.03
CWPF3143-241	SHROUD,SHEET,STEEL,3/32 THICK,4 BEN	404.04
CWPF3143-251	SHROUD,SHEET,STEEL,3/32 THICK,4 BEN	404.05
CWPF3143-261	SHROUD,SHEET,STEEL,3/32 THICK,4 BEN	404.06
CWPF3143-271	SHROUD,SHEET,STEEL,3/32 THICK,4 BEN	404.07
CWPF3143-281	SHROUD,SHEET,STEEL,3/32 THICK,4 BEN	404.08
CWPF3143-291	SHROUD,SHEET,STEEL,3/32 THICK,4 BEN	404.09
CWPF3143-311	SHROUD,SHEET,STEEL,3/32 THICK,4 BEN	404.11
CWPF3143-321	SHROUD,SHEET,STEEL,3/32 THICK,4 BEN	404.12
CWPF3143-331	SHROUD,SHEET,STEEL,3/32 THICK,4 BEN	404.13
CWPF3143-341	SHROUD,SHEET,STEEL,3/32 THICK,4 BEN	404.14
CWPF3143-351	SHROUD,SHEET,STEEL,3/32 THICK,4 BEN	404.15
CWPF3143-361	SHROUD,SHEET,STEEL,3/32 THICK,4 BEN	404.16
CWPF3143-711	SHROUD,SHEET,STEEL,3/32 THICK,4 BEN	404.17
CWPF3144-721	SHROUD BRKT,PLATE,STEEL,1/8 THICK,1	405
CWTAYN031-100	SCREW, BUTTON HEAD, BLK XYLAN, 5/1	406
CWWALYN031-008	WASHER, SPLIT, 5/16 ID, BL	407

CWWBKN031-007	WASHER, FLAT, TYPE A, SAE, 5/16 ID	408
CWAC1177-101	FLOOR PROTECTOR, RUBBER, 4.563 X 4.	501
CWAC1178-101	FLOOR PROTECTOR, RUBBER, 2.563 X 6.	502